

# OPEL VIVARO-e COMBI /

Price and Specification Guide\* | Ireland | March 2022

[FIND OUT MORE](#)



O P E L

\* Model shown for illustration purposes only

## CONTENTS

### DISCOVER THE OPEL VIVARO-e COMBI.

The perfect solution to business shuttle or large family motoring needs, the Vivaro-e Combi envelopes passengers in comfort and swallows luggage with ease. Available as a fully electric, zero-emissions 9-seater the Opel Vivaro-e Combi is versatile, confident and practical.

---

**Range and prices**

---

---

**In-car technology and entertainment**

---

---

**Colours**

---

---

**Safety and security**

---

---

**Exterior styling and features**

---

---

**Technical Data**

---

---

**Comfort and convenience**

---

---

**Lighting and visibility**

---

---

**Interior styling and features**

---

---

**Trims, colours, wheels and tyres**

---



E&OE March 2022.

The content in this specification and price guide is for information purposes only. Our products are continually updated and changes may be made to the specifications at any time. If you require any specific feature, you must consult your authorised Opel Dealer who is regularly updated with any change in specification. Specifications are subject to change without notice. Images are used for illustrative purposes only. Vehicles illustrated may not necessarily reflect the correct specification. Contact your local Opel dealer for details.

## OPEL VIVARO-e COMBI RANGE PRICES

Trim	Fuel Type	Transmission	CO2 (WLTP)	Tax Band	Road Tax	RRSP* from €
<b>COMBI 9-SEATER</b>						
Battery EV L1H1 9-seater	Electric	Automatic	0	A: 0	€120	€40,909* **



Models shown for illustration purposes only. \*Recommended Retail Selling Price does not include Dealer delivery related charges, metallic paint or tyre recycling levy. RRSP price excludes the recommended cost of Pre-Delivery-Inspection, number plates and delivery to an Opel Dealer. Prices effective March 2022. E&OE 15/03/22. Prices are subject to alteration or change without notice or obligation. \*\*Inclusive of SEIA grant and VRT rebate. Businesses may qualify for further grants. See <https://www.seai.ie/business-and-public-sector/ev-for-business/grants-and-supports/> for details.

## YOUR NEW VIVARO-e COMBI IN DETAIL: SAFETY & SECURITY

SAFETY / SECURITY FEATURES	COMBI M
	100KW WITH 50KW BATTERY L1H1
ABS / Electronic Stability Programme (ESP) / Electronic Braking Distribution (EBD)	•
Driver / passenger / front side airbags	•
Cruise control with speed limiter	•
Remote central locking	•
Two-keys: foldable	•
Deadlocking for passenger and rear area (including sliding doors)	•
Hill start assist with electronic parking brake	•
Electric child locks	•
Laminated windscreen	•
Tyre pressure monitoring system (TPMS)	•
Puncture repair kit	•

## YOUR NEW VIVARO-e COMBI IN DETAIL: COMFORT & CONVENIENCE

COMFORT & CONVENIENCE FEATURES	COMBI M
	100KW WITH 50KW BATTERY L1H1
Power-assisted steering	•
Steering colum adjustable for reach / rake	•
Steering wheel audio / phone / cruise controls	•
Manual air conditioning	•
Privacy glass (30% opacity)	•
Manual 6-way driver's seat adjustment: fore/aft, up/down with reclining seat back	•
Driver's seat armrest	•
Passenger bench seat with storage	•
Electrically operated driver and passenger windows: one touch	•

## YOUR NEW VIVARO-e COMBI IN DETAIL: INTERIOR FEATURES

INTERIOR FEATURES	COMBI M
	100KW WITH 50KW BATTERY L1H1
Driver and passenger sunvisor without vanity mirror	•
Curitiba Tritone Grey cloth: bi-tone dashboard	•
Bench / single seat 2 + 1; 2nd row	•
Seat bench monoblock: 3rd row	•
Manual side sliding door function	•

**YOUR NEW VIVARO-e COMBI IN DETAIL: IN-CAR TECHNOLOGY & ENTERTAINMENT**

TECHNOLOGY & ENTERTAINMENT FEATURES	COMBI M
	100KW WITH 50KW BATTERY L1H1
Trip computer	•
DAB digital radio	•
3.5" coloured matrix instrument panel	•
Bluetooth® audio streaming	•
USB audio connection: frt console	•
Four speakers	•

## YOUR NEW VIVARO-e COMBI IN DETAIL: EXTERIOR STYLING & FEATURES

EXTERIOR STYLING & FEATURES	COMBI M
	100KW WITH 50KW BATTERY L1H1
Black tinted side protectors	•
16" steel wheel	•
Left hand side sliding door	•
Right hand side sliding door	•
Tailgate with fixed window: heated and wiper	•
Short roof antenna	•

## YOUR NEW VIVARO-e COMBI IN DETAIL: LIGHTING & VISIBILITY


LIGHTING & VISIBILITY	COMBI M
	100KW WITH 50KW BATTERY L1H1
Halogen front headlamps: halogen daytime running lamps	•
Prismatic central rear view mirror	•
Dual reading roof interior lamp	•
Courtesy roof interior lamps: 2nd and 3rd row	•
Electric, heated, manually folding exterior mirrors	•

## INTERIOR TRIM\*



Tritone Grey fabric interior trim

## WHEELS & TYRES\*

WHEELS	COMBI-e
 <ul style="list-style-type: none"><li>16" steel wheel</li><li>• 215 / 65 R 16 tyres</li><li>• Full size spare wheel included</li></ul>	•
<p><b>Spare wheel kit available as aftermarket optional extra. Please consult your local Opel Dealer.</b></p>	



## CHOOSE YOUR EXTERIOR COLOUR



**White Jade**

Solid



**Diamond Black**

Two coat metallic\*



**Quartz Grey**

Two coat metallic\*



**Moonstone Grey**

Two coat metallic\*



**Flaming Red**

Special metallic paint\*

E&OE March 2022. Images shown for illustration purposes only. Please discuss colours available with your local Opel Dealer. \*Optional at extra cost. Standard paint at no optional extra cost. Due to the limitations of the printing process, the colours reproduced may vary slightly from the actual paint colour and trim material. As a result, they should be used as a guide only. Your Opel dealer has a comprehensive display of paint finishes.

# VIVARO-e COMBI SPECIFICATIONS

## Single-speed electronic drive selector

As the motor is an all-electric single-speed drive unit, there is no need for multiple gears. Instead, the shifter lets the driver select from the following:

- Park
- Reverse
- Neutral
- Drive
- Braking (for increased regenerative braking)

## Drive Mode Selector

The driver can determine the driving style through selecting one of the following modes:

- Power: with high power reserves for the highest top speed and torque. Recommended at full capacity.
- Normal: for a balanced drive that offers a compromise between performance and energy efficiency. WLTP range is validated in this mode.
- ECO: for maximum range and energy efficiency. The ECO mode deactivates all unnecessary energy-consuming features and reduces the top speed, torque and overall performance.

## Braking

### Energy recuperation

The regenerative braking system works when the vehicle is in motion, energy created by the resistance of the brakes against the drivetrain is converted into DC voltage to partially recharge the battery. The driver can also engage braking mode through the drive selector to increase the level of energy recuperation.

### Single foot driving experience

The system not only utilises the energy when the brakes are being used, but also engages when the vehicle is coasting, recovering more energy and enabling single foot driving as the brakes automatically engage when the throttle pedal is released.

DRIVETRAIN	50KWH
CO2 emissions	0g / km
Max power kW / PS	100 / 136
Max torque Nm / lb.ft.	260 / 192
Acceleration 0 - 100km/hr	13.1
Max speed kph	130
Transmission	Automatic electric drive with fixed gear ratio
Service Interval	Every 40,000km or 2 years (whichever comes sooner) Initial inspection at 20,000 miles or 1 year (whichever comes sooner)
Max payload KG	1226 (L1H1): 1198 (L2H1)

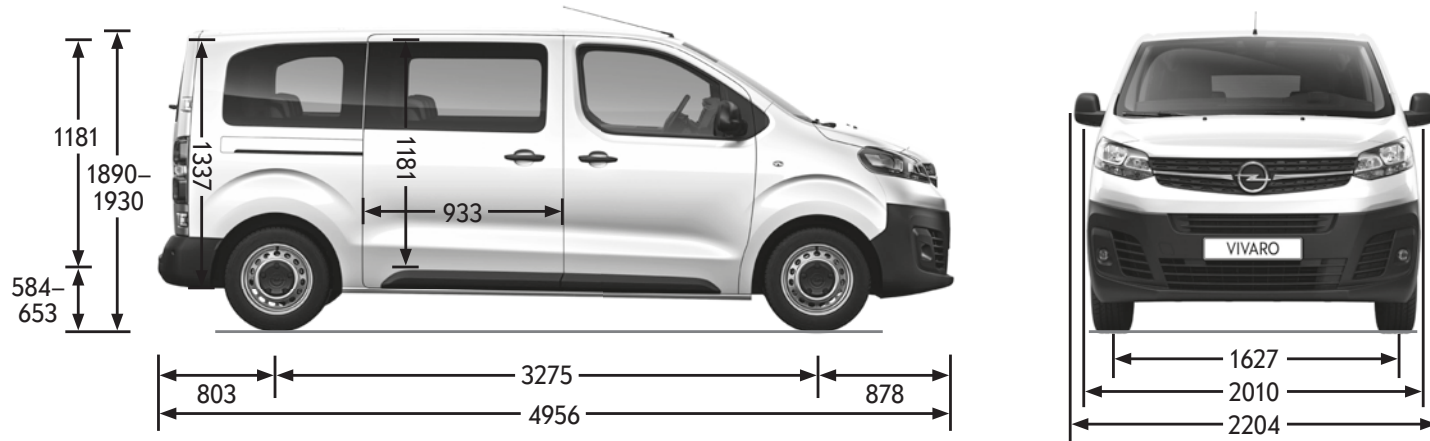
Battery	50KWH
Battery energy kWh	7.4kWh
EV range km (WLTP Combined)	207 - 230
Battery warranty	8 years / 160,000 km / 70% capacity

Charging	50KWH
Domestic 3 pin socket 2.3kWh	21 hours 45 minutes
Wallbox or public charger 7kW	7 hours 30 minutes
Public charger 11kW	5 hours
Rapid 0 - 80% 100kWh	30 minutes

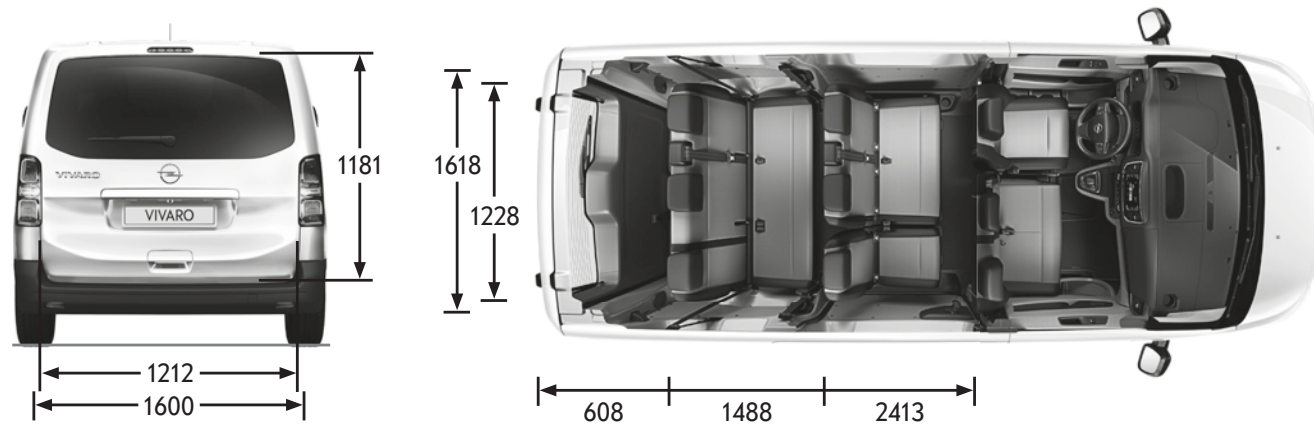
E&OE March 2022. The Vivaro-e is a battery electric vehicle requiring mains electricity for charging. Range data given has been determined according to WLTP test procedure methodology. The figures shown are intended for comparability purposes only and should only be compared to other cars tested to the same technical standard. The range you achieve under real world driving conditions will depend upon a number of factors, including but not limited to: the accessories fitted (pre and post registration); charging frequency; personal driving style; vehicle load and route characteristics; variations in weather; heating/air conditioning; pre-conditioning and battery condition. For more information, contact your local Opel Retailer. You can obtain 15-80% of the vehicle charge in 30 minutes from a 100kW rapid charging station and 15-80% of the vehicle charge in 45 minutes from a 50kW rapid charging station.

# DIMENSIONS AND CAPACITIES

## L1 DIMENSIONS



All dimensions in mm





O P E L